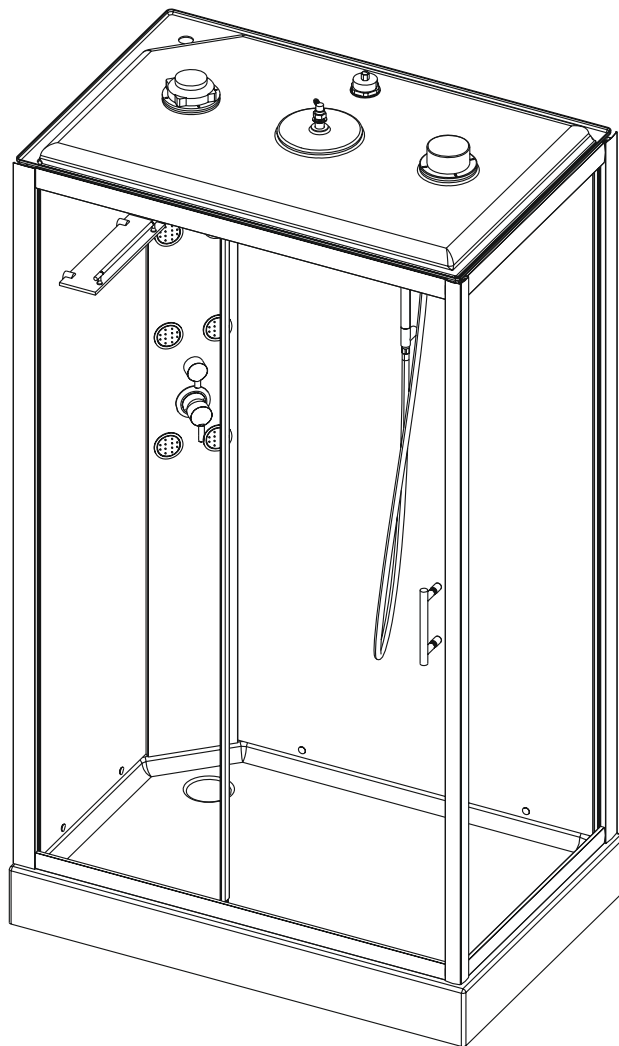


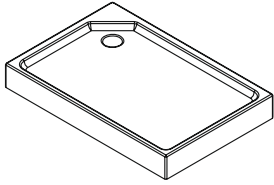
Bandhours

SPHERA



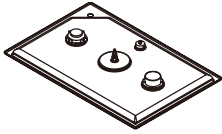
SPHERA L/R 100X70X217CM

Package 1



[04] x 1

Package 2



[01] x 1

Package 3



[09] x 1



[15c] x 1



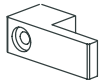
[15a] x 1



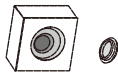
[15b] x 1



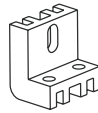
[17d] x 3



[11a] x 4



[11b] x 2



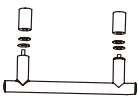
[12] x 8



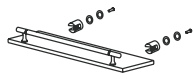
[13a] x 2



[13b] x 2



[14] x 1



[16] x 1



ST4X12mm

[18a] x 6



ST4X10mm

[18b] x 2



ST4X20mm

[18c] x 16



M4X25mm

[18d] x 16



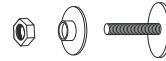
ST4X14mm

[19a] x 10



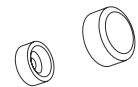
M4X20mm

[19b] x 10



M5X20mm

[19c] x 8

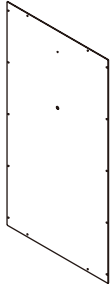


[20] x 4

Package 4



[08] x 1

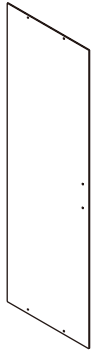


[10] x 1

Package 5



[06] x 1



[07] x 1



[23] x 1



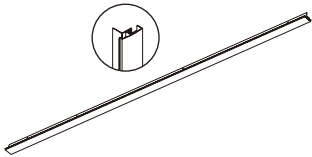
[05a] x 1



[05b] x 1



[21] x 1



[22] x 1



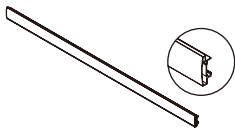
[17b] x 1



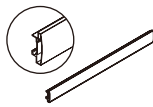
[17c] x 1



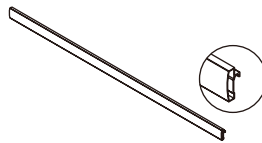
[17a] x 1



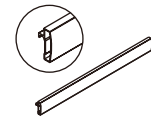
[02a] x 1



[02b] x 1



[03a] x 1



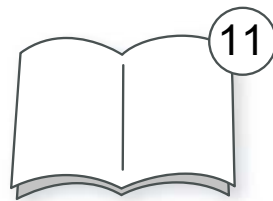
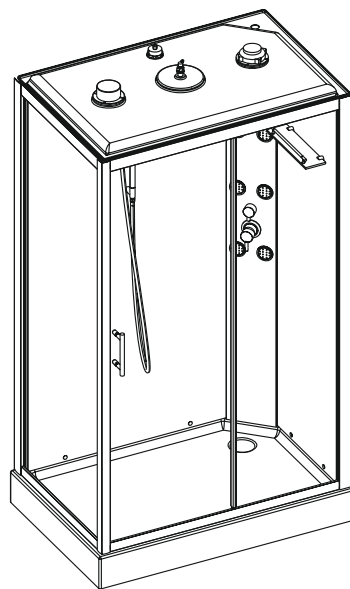
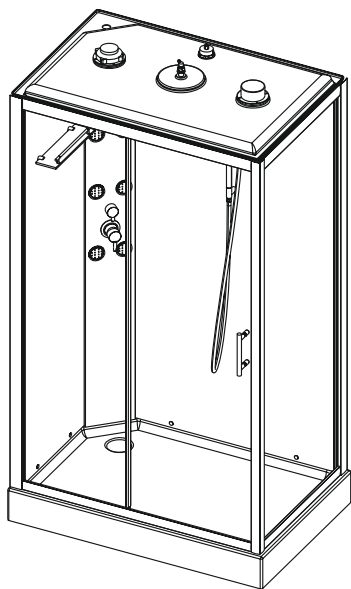
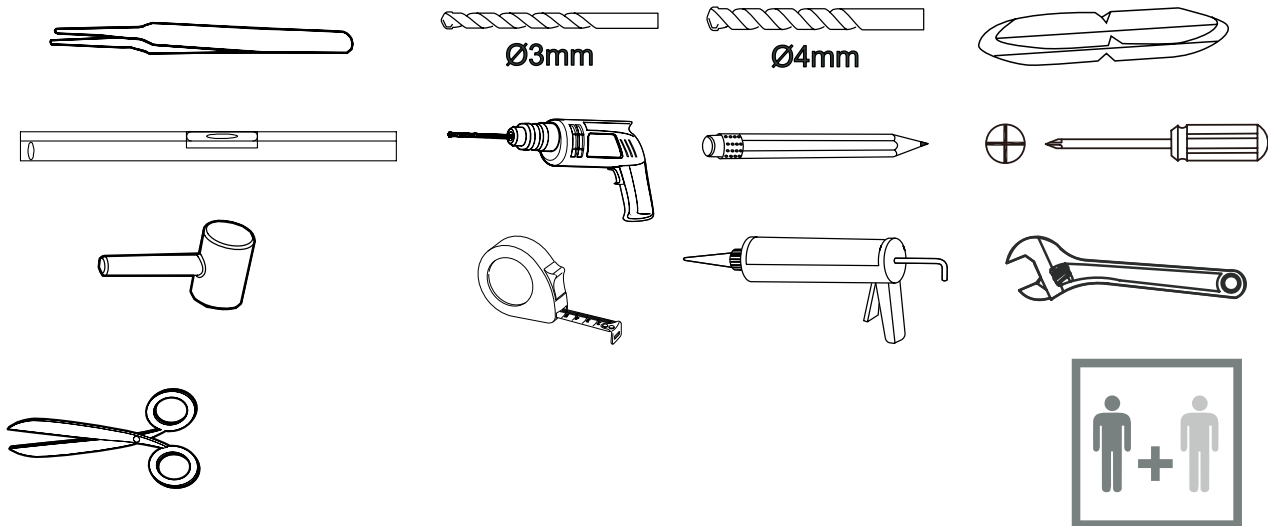
[03b] x 1



[17f] x 1

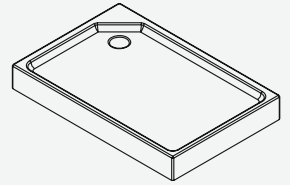


[17e] x 1

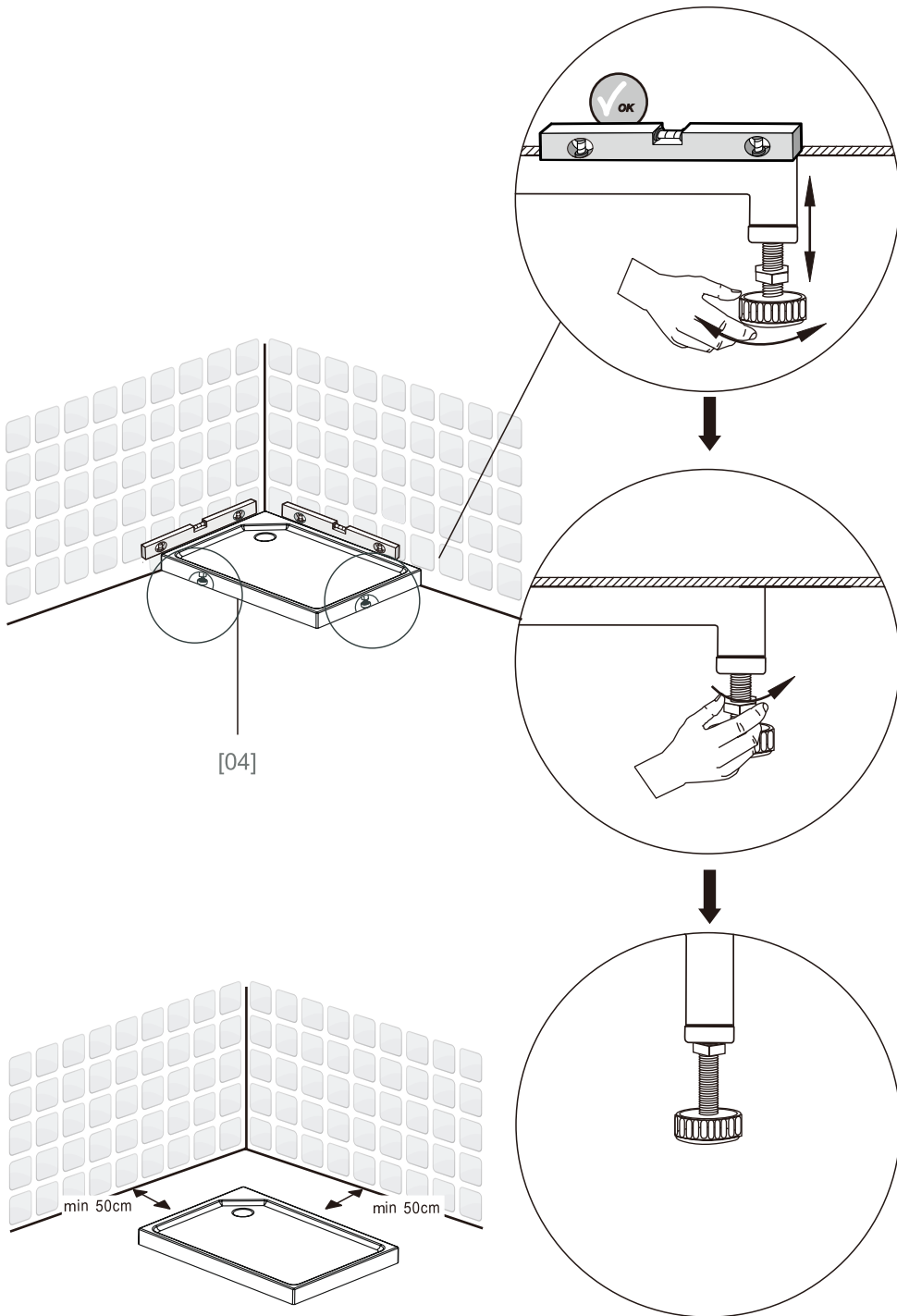




01



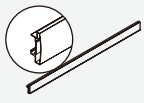
[04] x 1



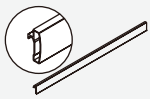
02



[23] x 1



[02b] x 1



[03b] x 1



[05b] x 1



[22] x 1

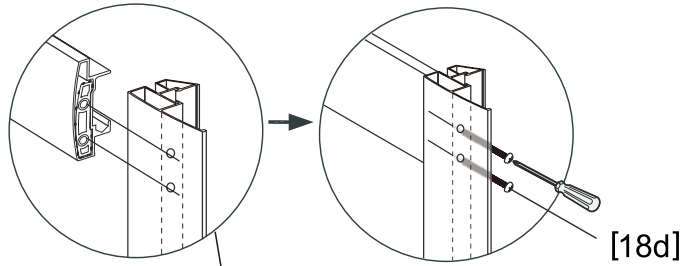


M4X25mm

[18d] x 8



[17d] x 2



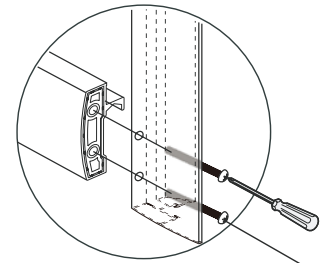
[02b]



[22]

[10]

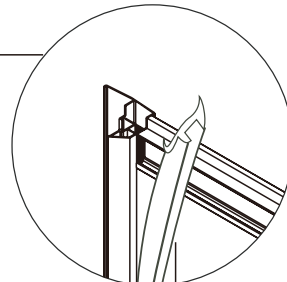
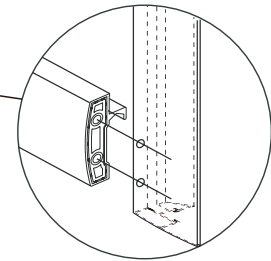
[05b]



[18d]



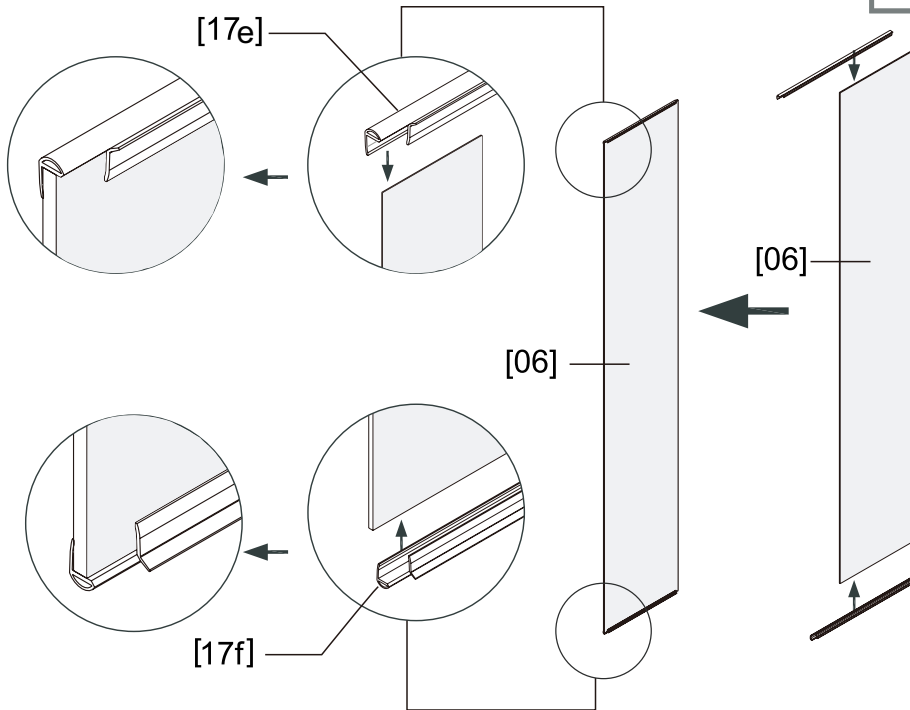
[03b]



[17d]



03



[06] x 1

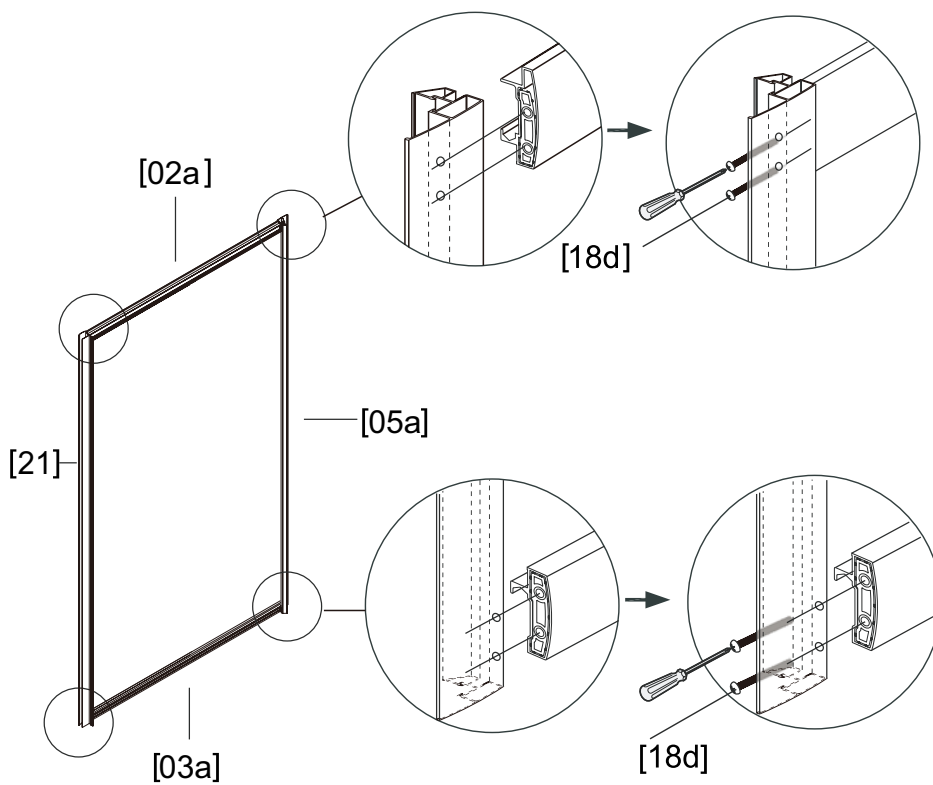


[17e] x 1



[17f] x 1

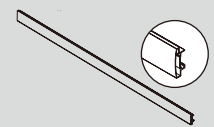
04



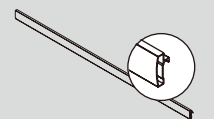
[05a] x 1



[21] x 1



[02a] x 1



[03a] x 1



M4X25mm

[18d] x 8

05



[06] x 1



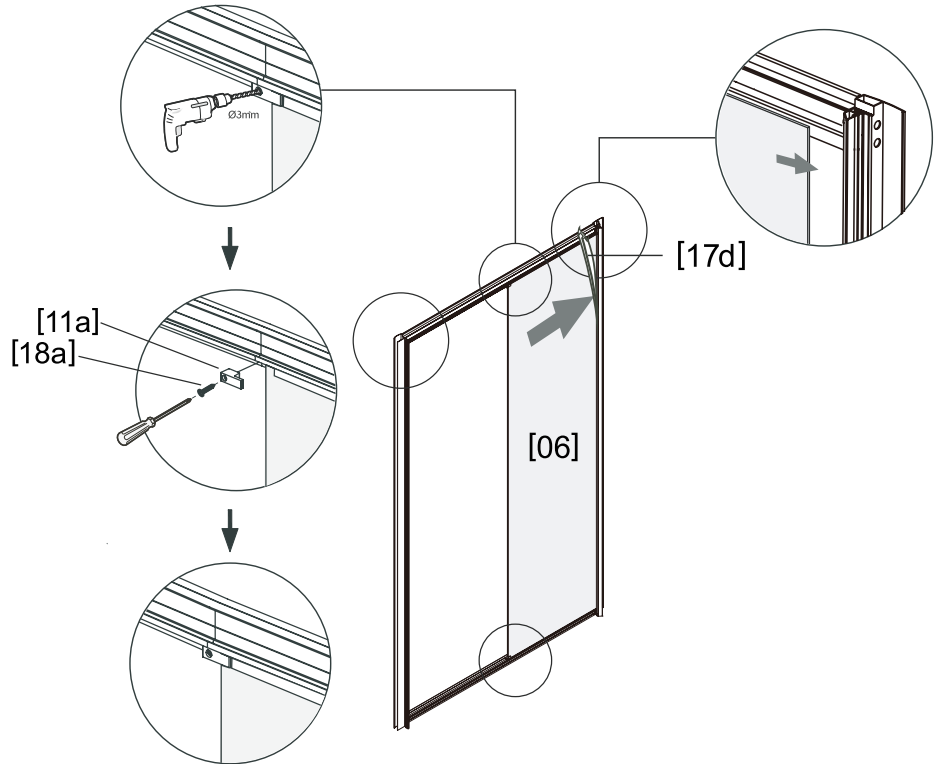
[11a] x 2



ST4X12mm
[18a] x 2



[17d] x 1



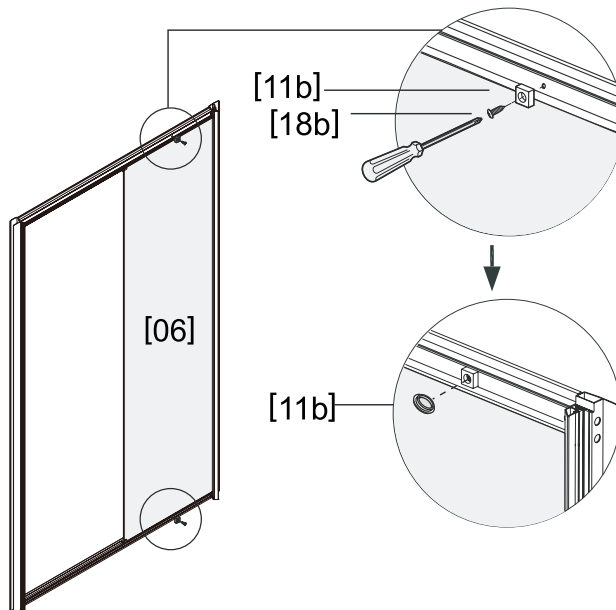
06

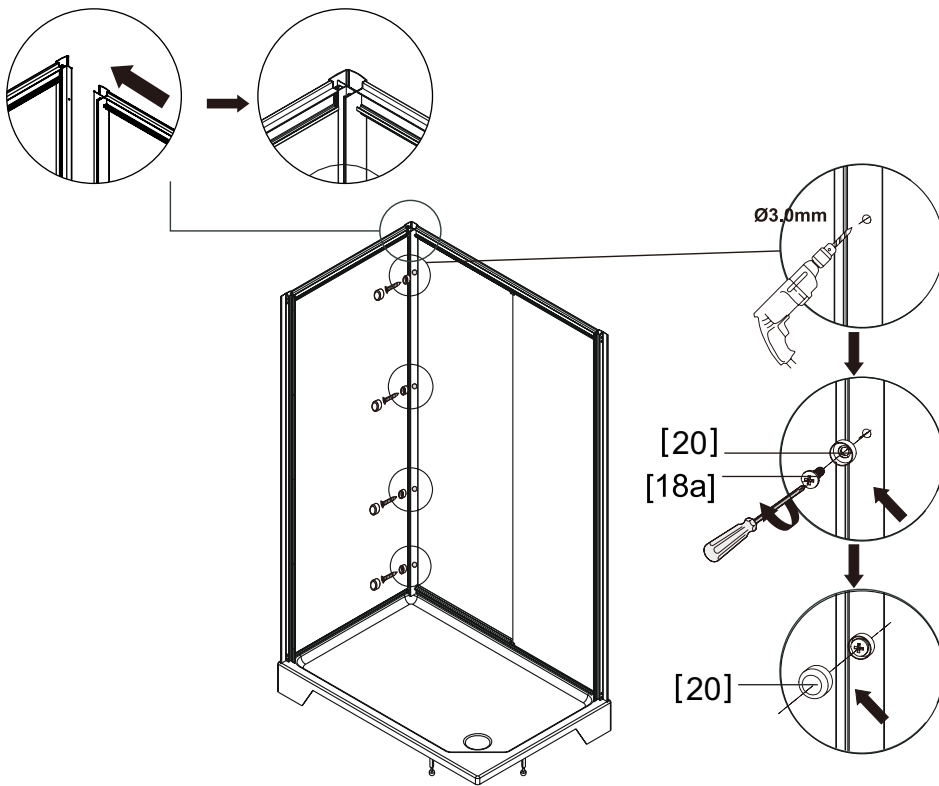


[11b] x 2



ST4X10mm
[18b] x 2





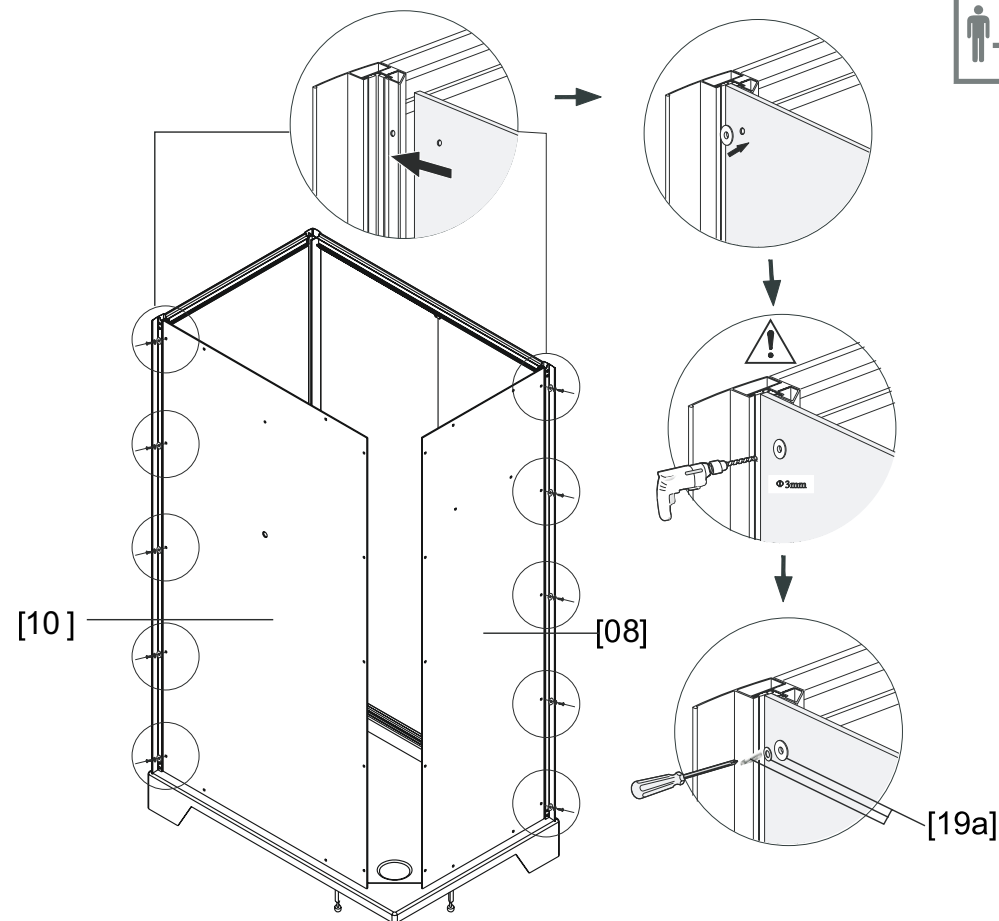
07



ST4X12mm
[18a] x 4



[20] x 4



08



[08] x 1



[10] x 1



ST4X14mm
[19a] x 10

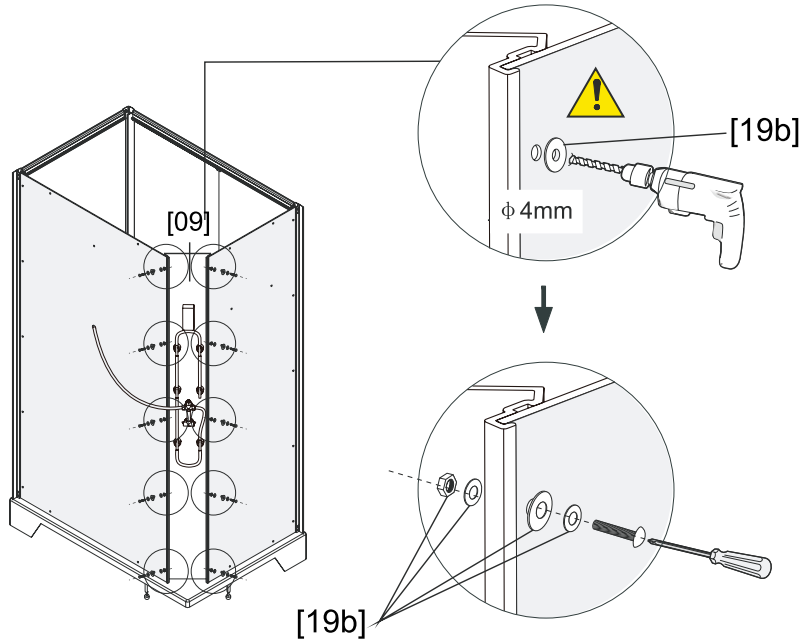
09



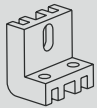
M4X20mm
[19b] x 10



[09] x 1



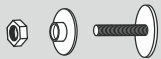
10



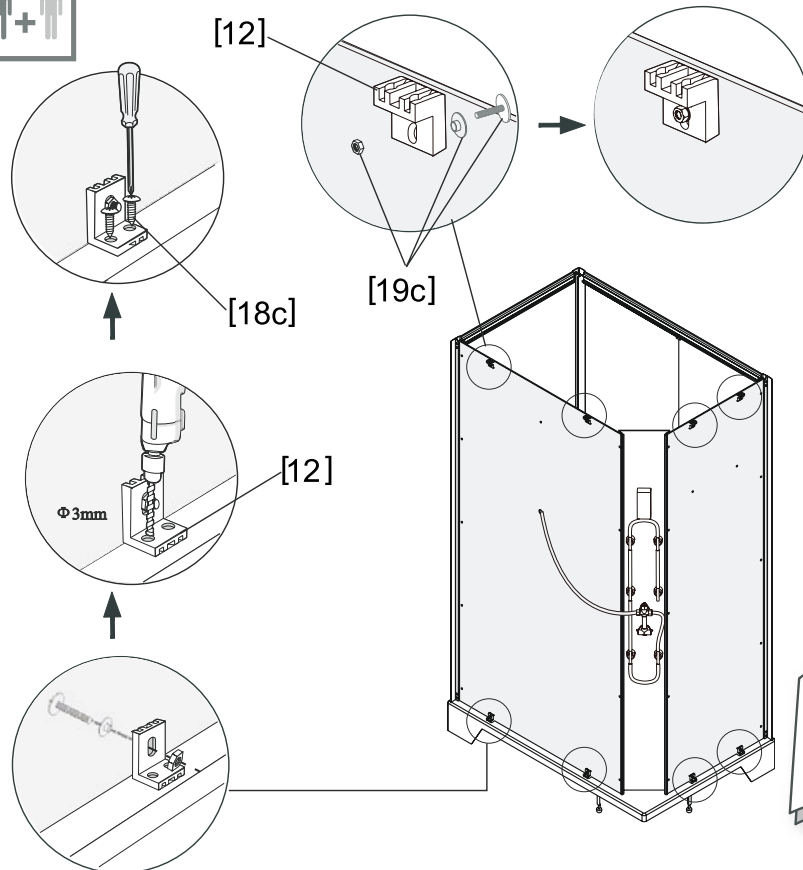
[12] x 8



ST4X20mm
[18c] x 8

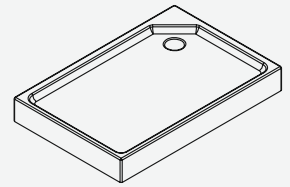


M5X20mm
[19c] x 8

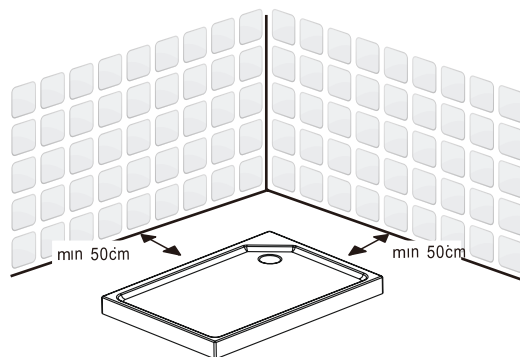
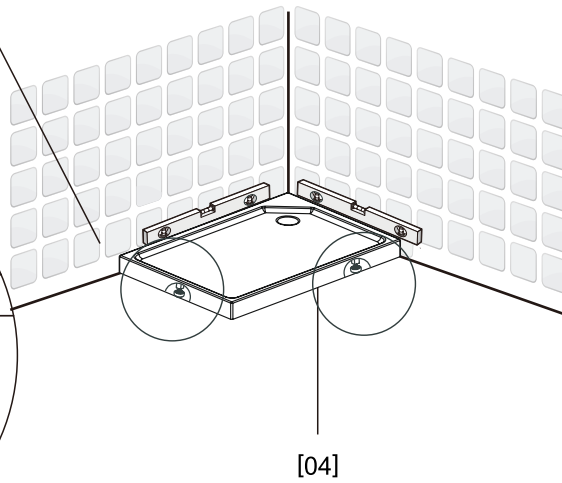
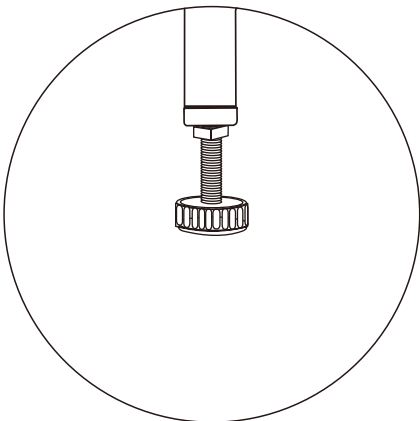
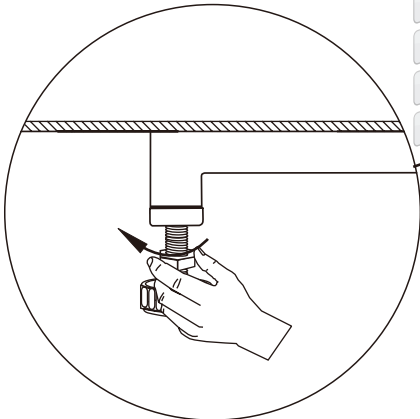
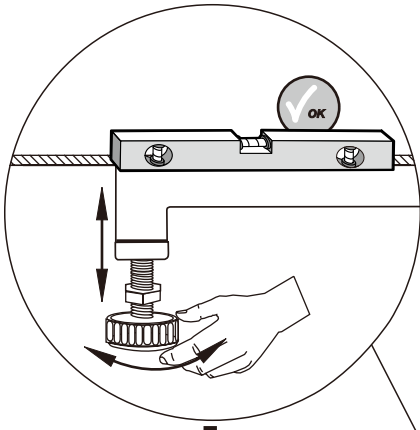




11



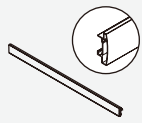
[04] x 1



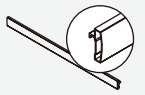
12



[10] x 1



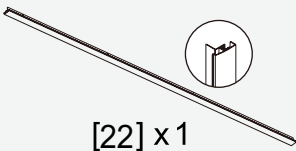
[02b] x 1



[03b] x 1



[05a] x 1



[22] x 1

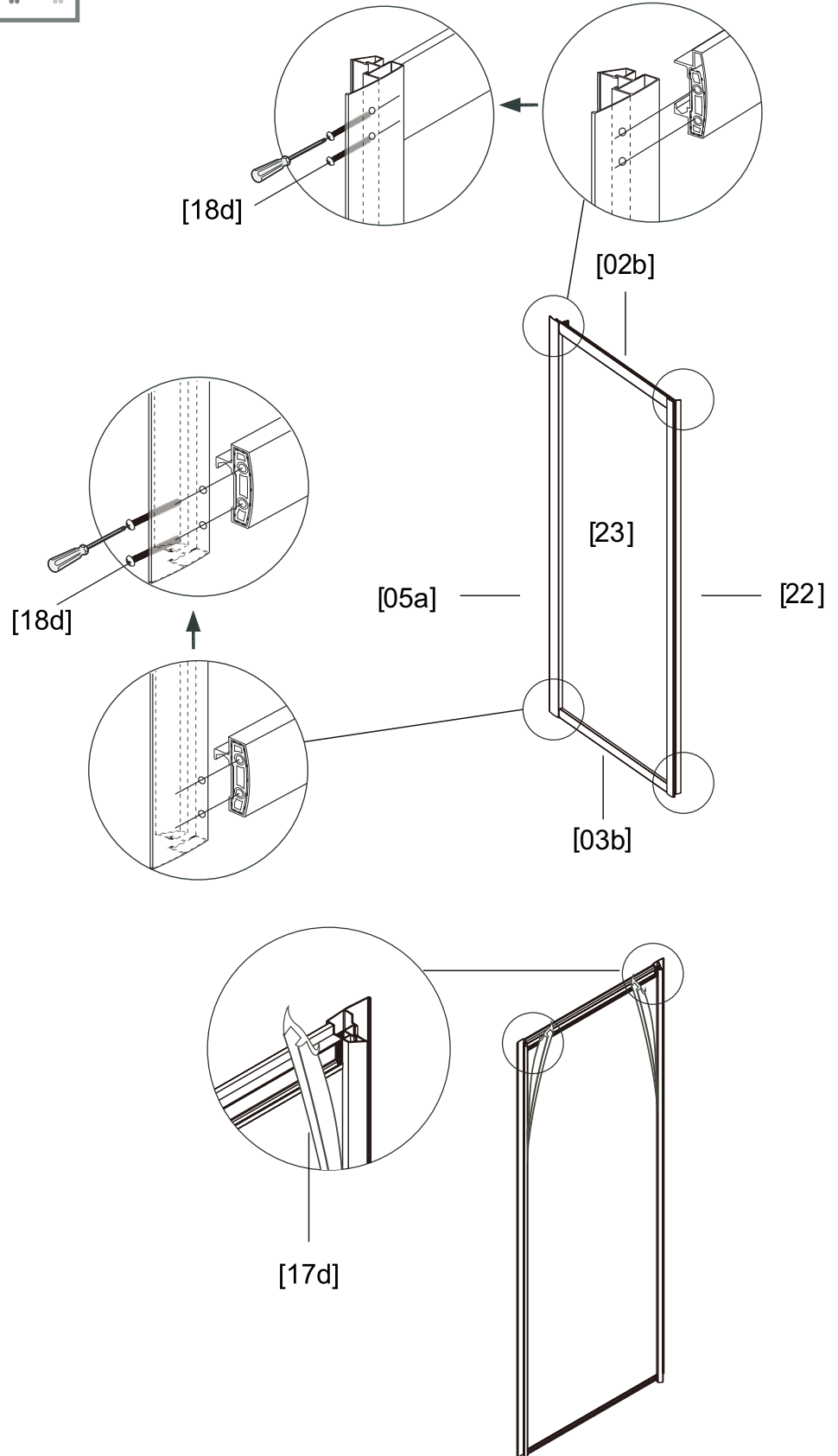


M4X25mm

[18d] x 8

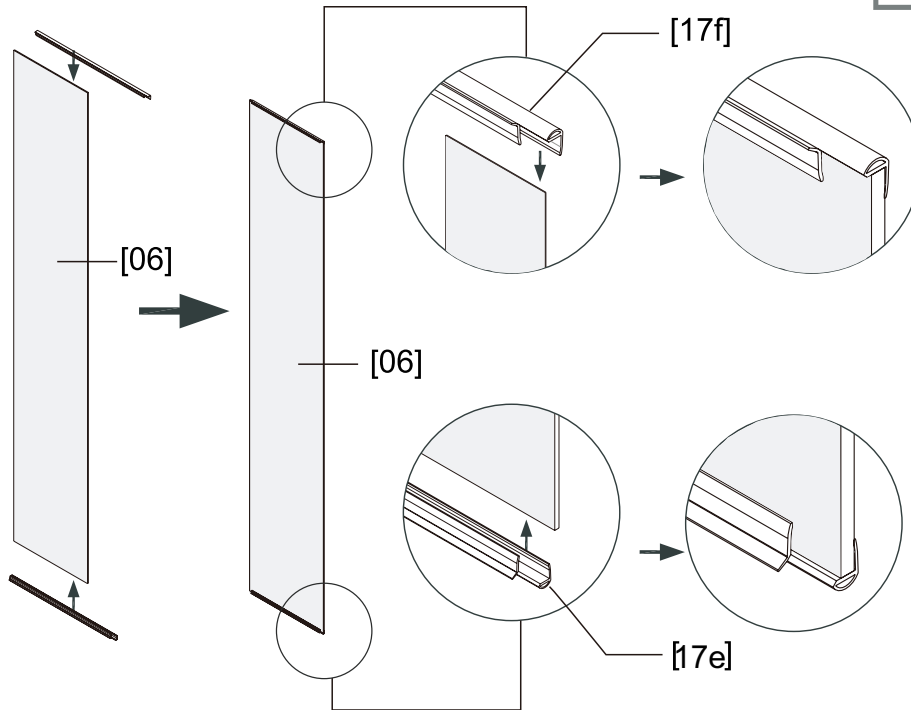


[17d] x 2





13



[06] x 1

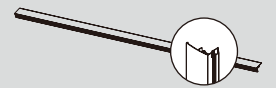
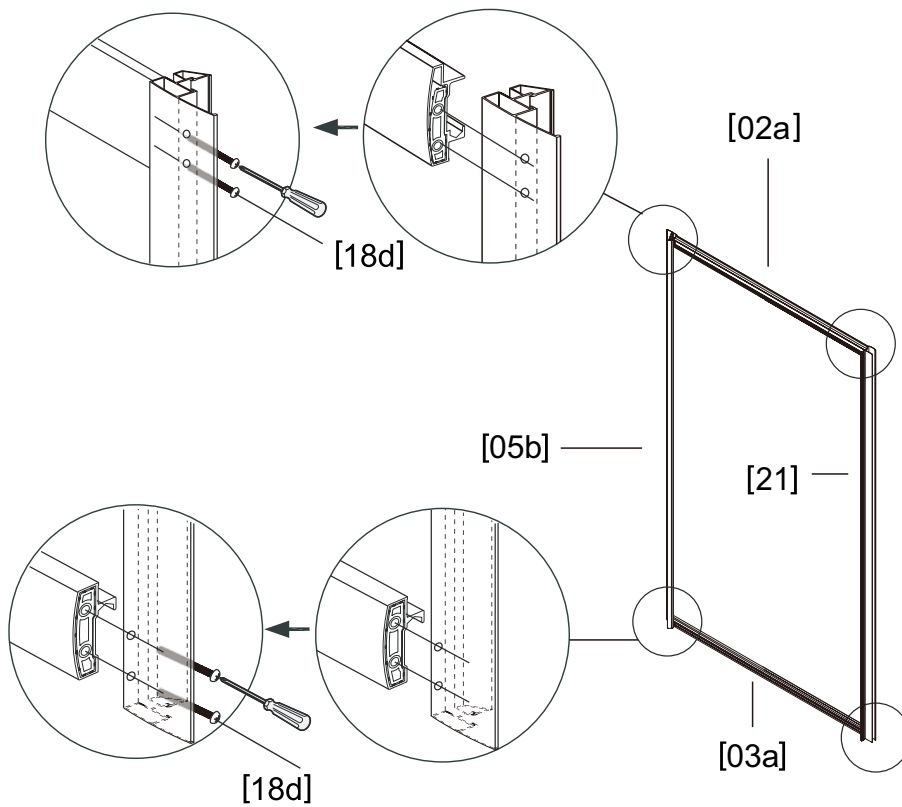


[17f] x 1



[17e] x 1

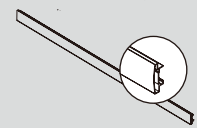
14



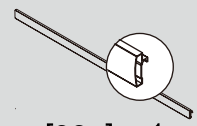
[05b] x 1



[21] x 1



[02a] x 1



[03a] x 1



M4X25mm

[18d] x 8

15



[06] x 1



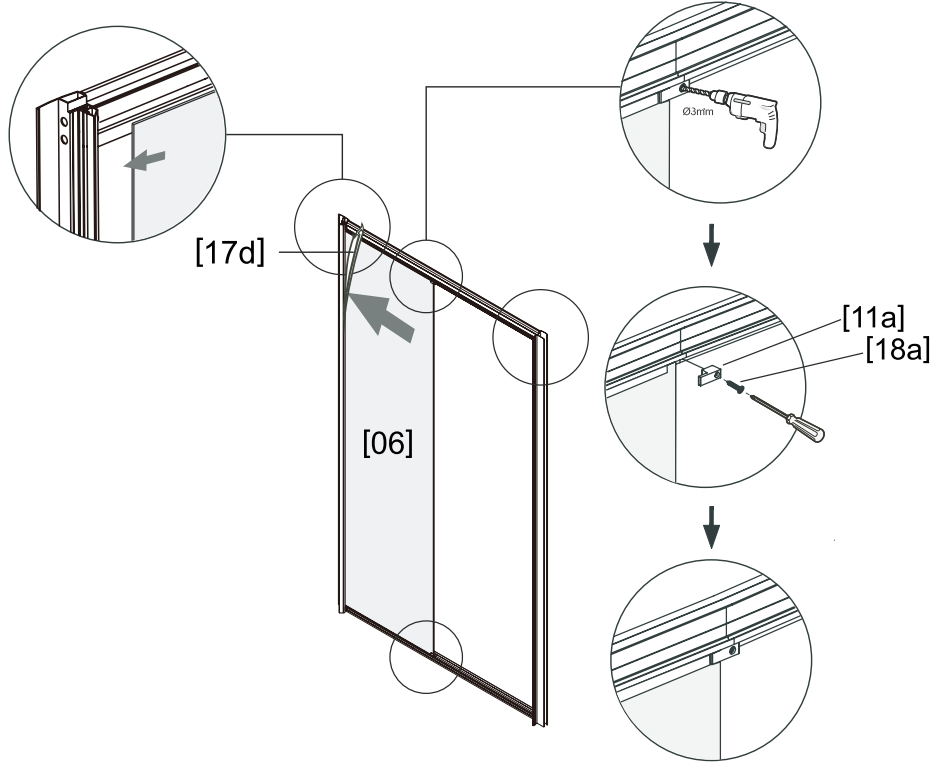
[11a] x 2



ST4X12mm
[18a] x 2



[17d] x 1



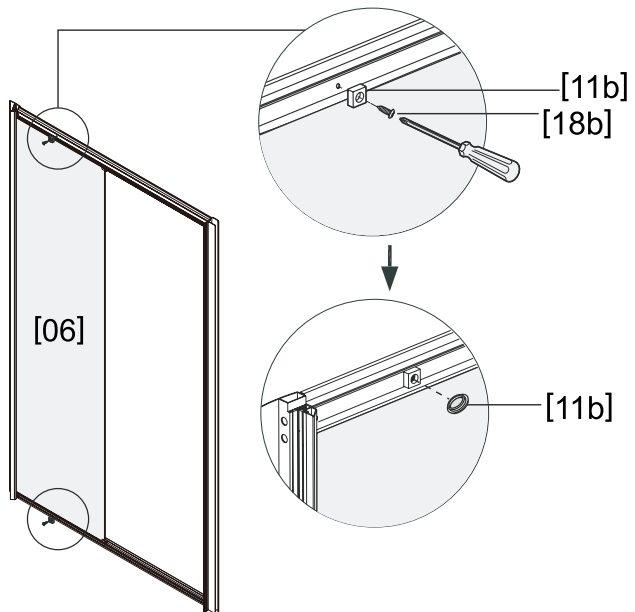
16

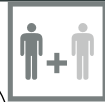


[11b] x 2

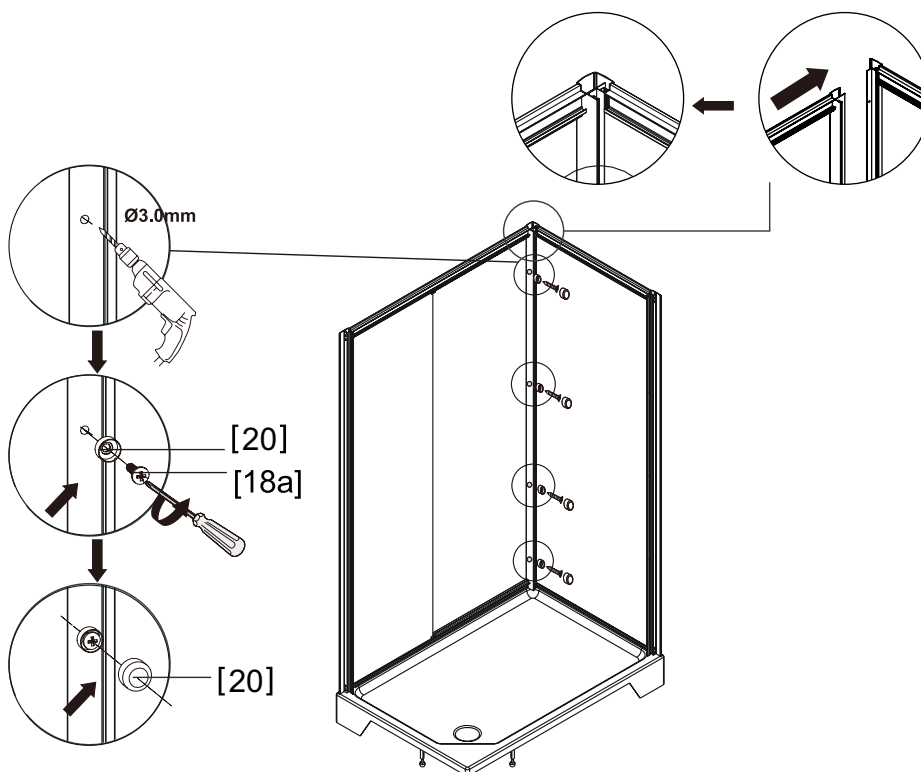


ST4X10mm
[18b] x 2





17



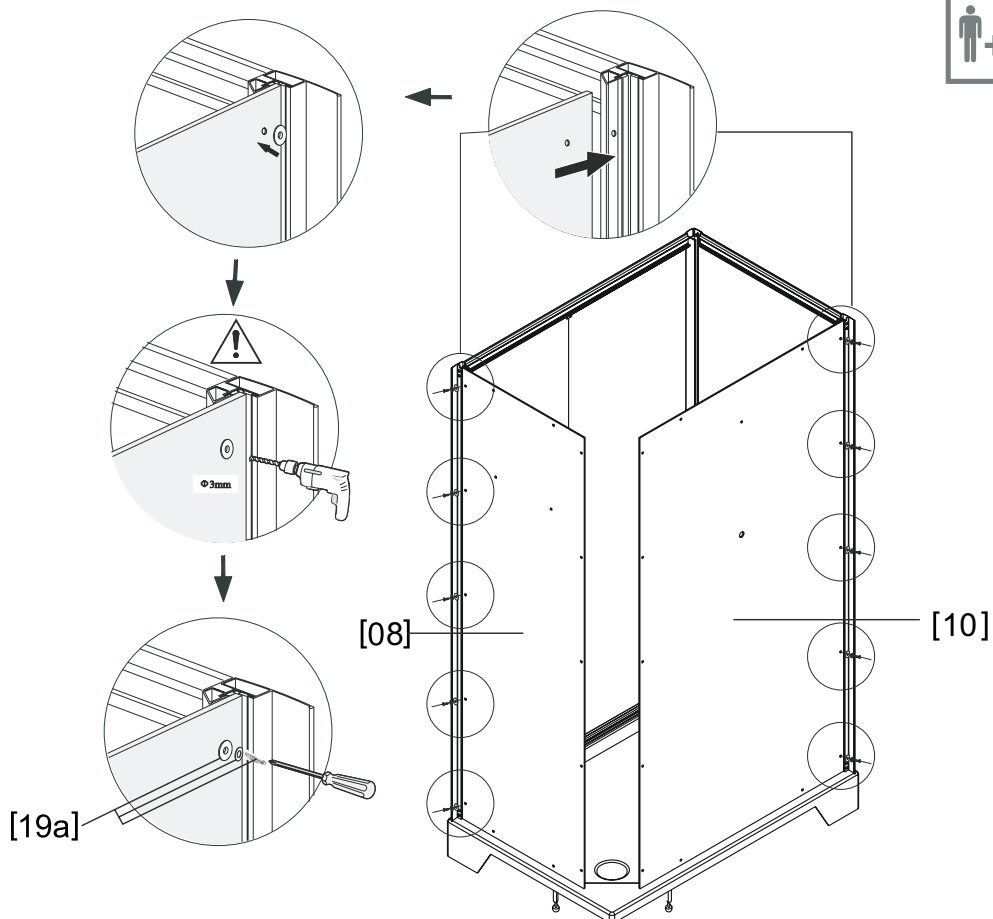
ST4X12mm
[18a] x 4



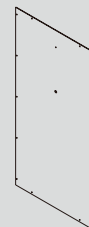
[20] x 4



18



[08] x 1



[10] x 1



ST4X14mm
[19a] x 10

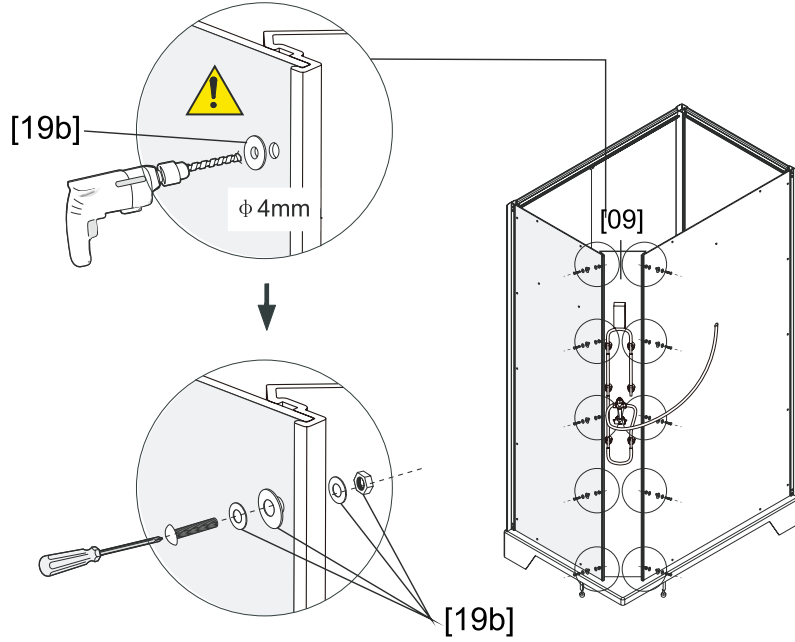
19



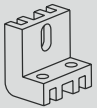
M4X20mm
[19b] x 10



[09] x 1



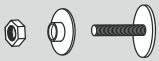
20



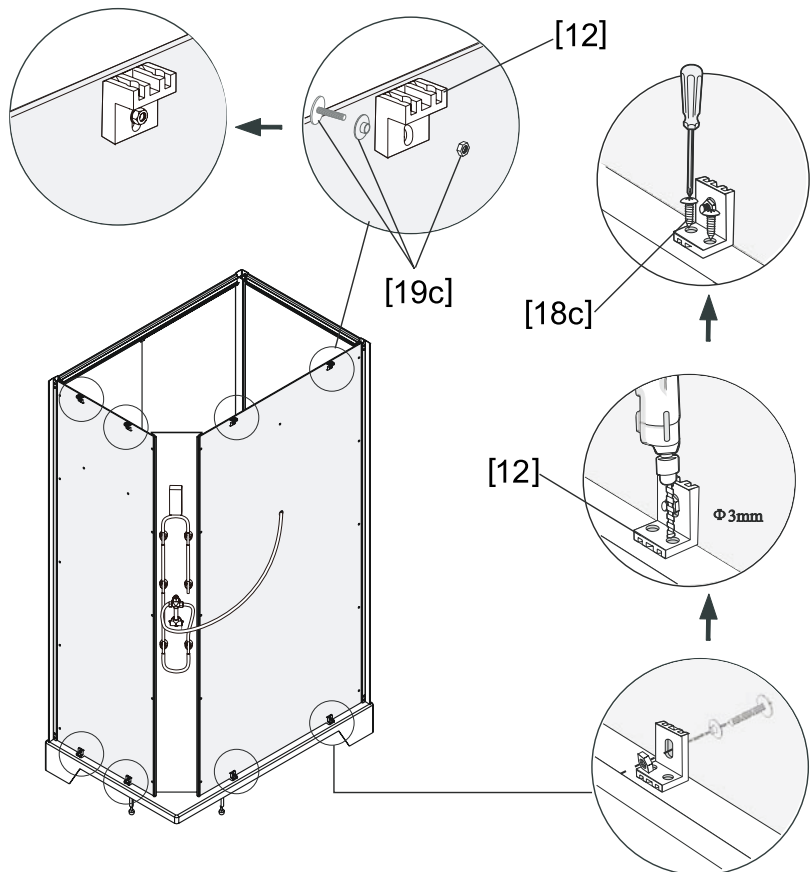
[12] x 8



ST4X20mm
[18c] x 8

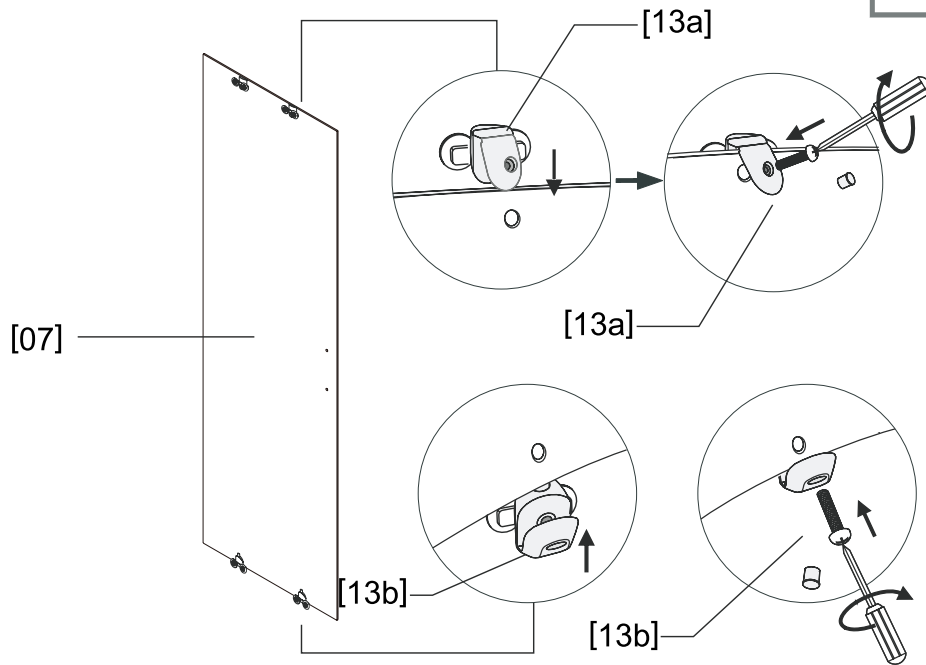


M5X20mm
[19c] x 8





21



[07] x1



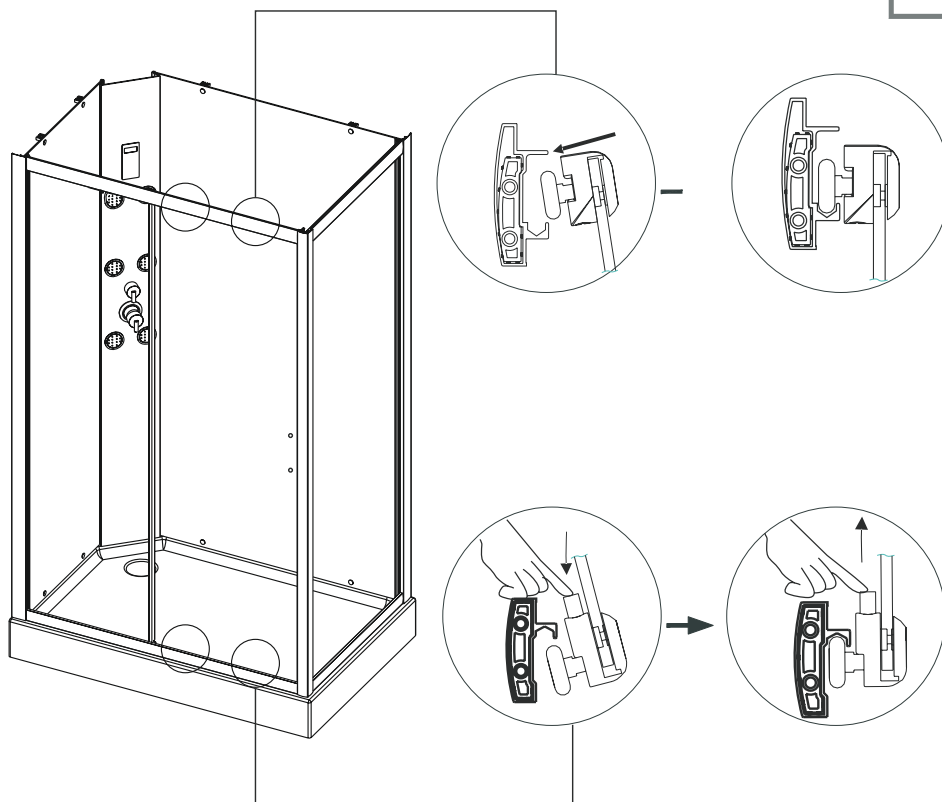
[13a] x2



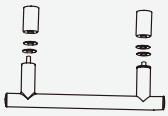
[13b] x2



22



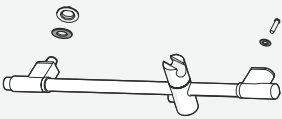
23



[14] x 1



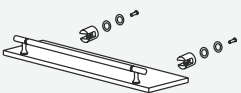
[15a] x 1



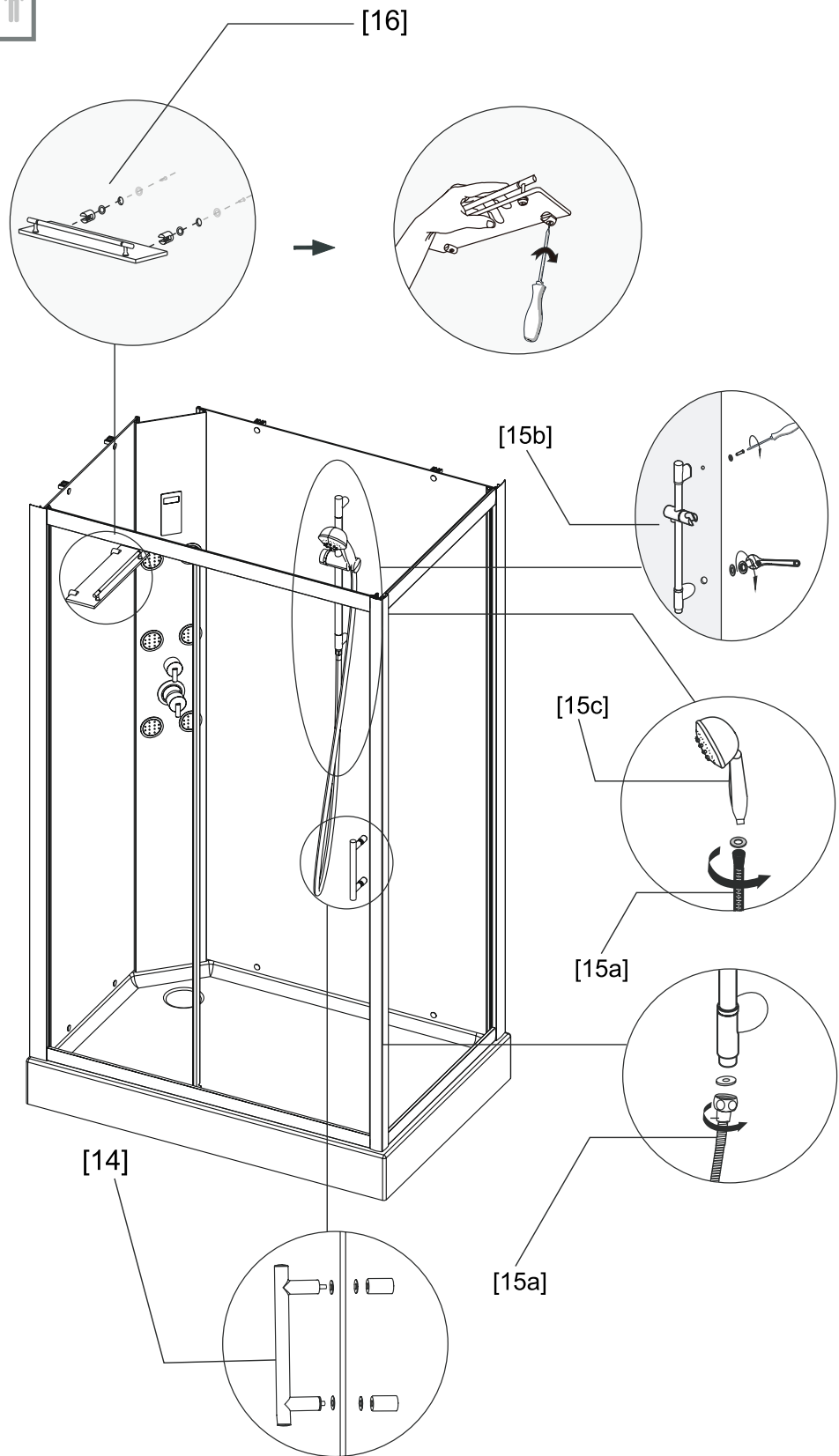
[15b] x 1



[15c] x 1

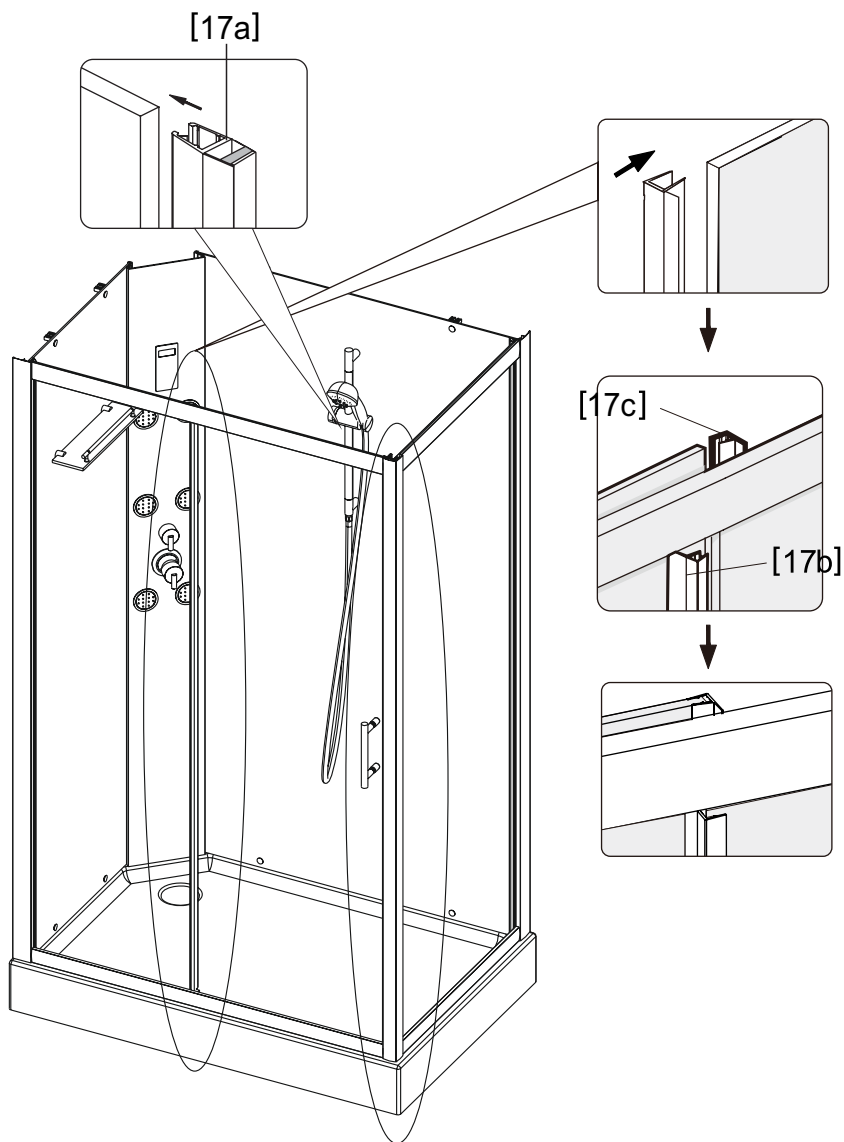


[16] x 1





24



[17b] x 1



[17c] x 1

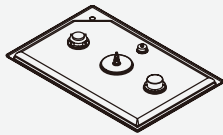


[17a] x 2

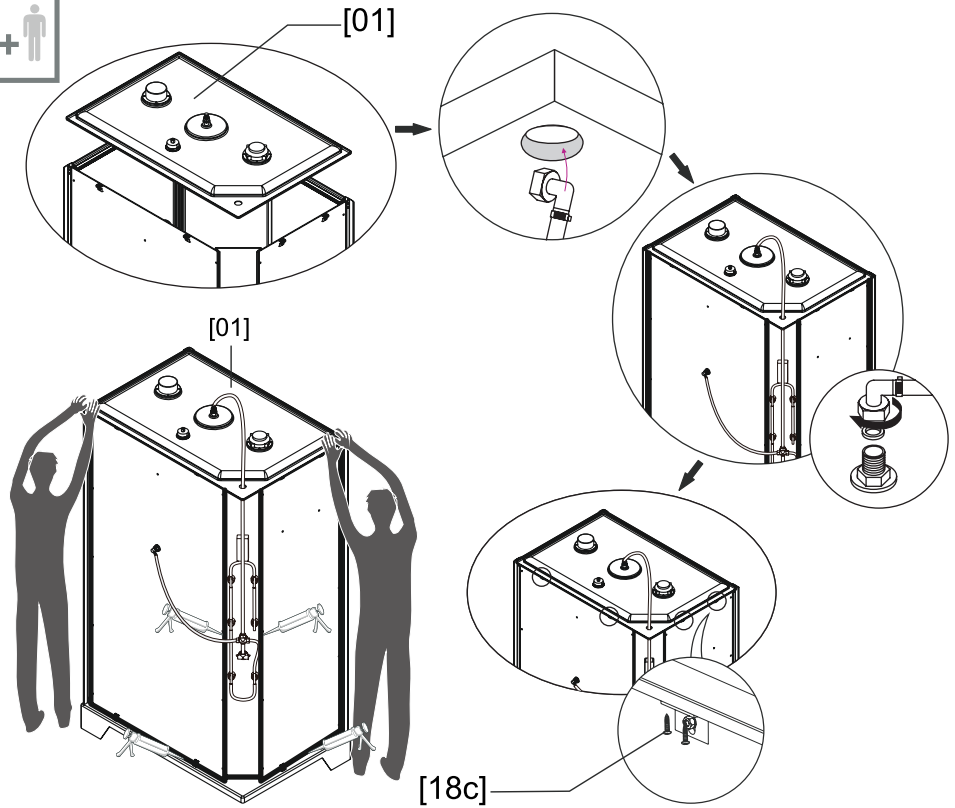
25



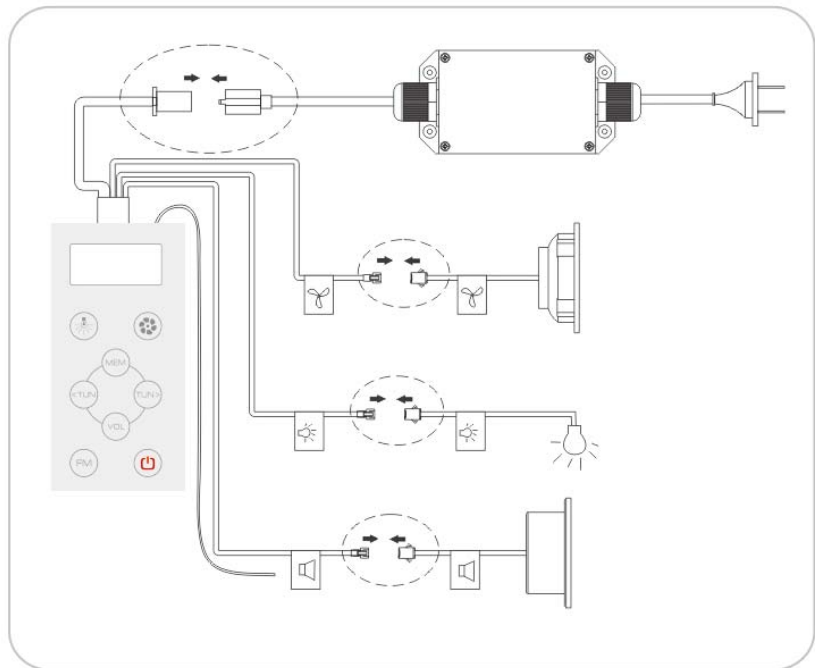
ST4X20mm
[18c] x 8

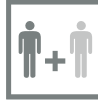


[01] x 1

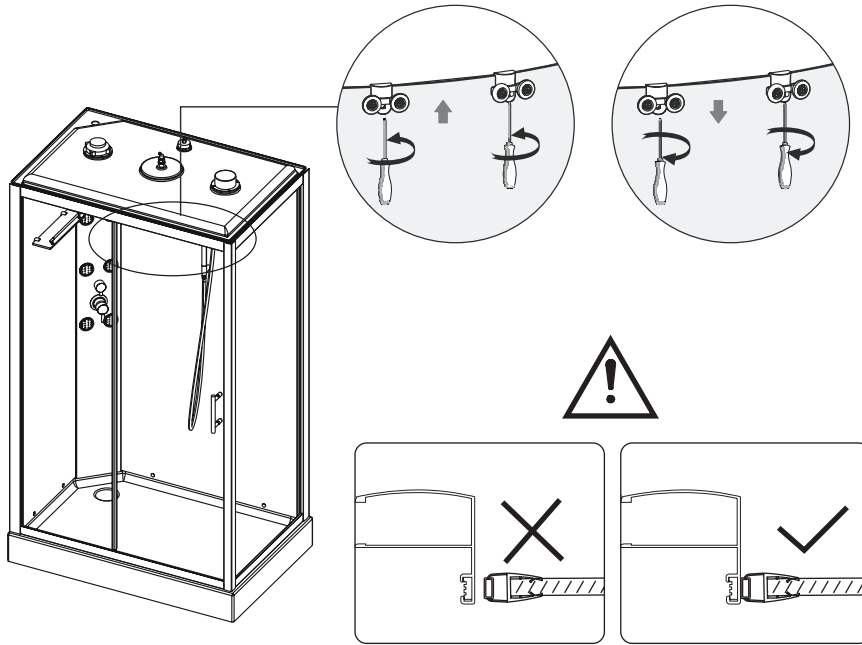


26

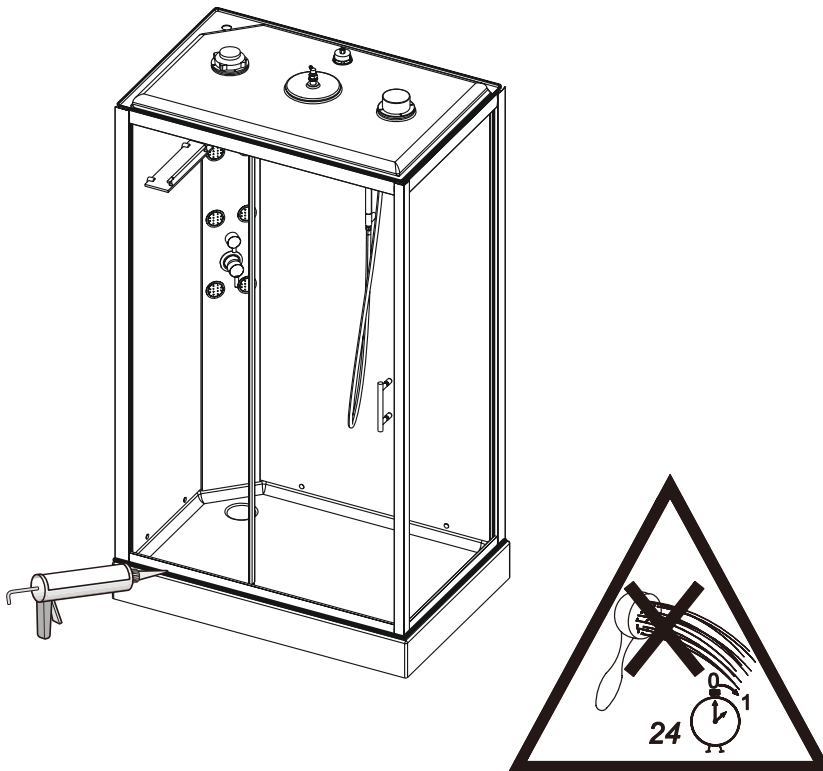




27



28





ON/OFF



3" ➡ 87.5MHZ~108.0MHZ ▷



3" ➡ 108.0MHZ~87.5MHZ ◁



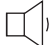


3" ➡  01~18



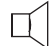


1" ➡  01~18



➡  ➡  ➡ 



➡  ➡  ➡ 



➡  ➡ 